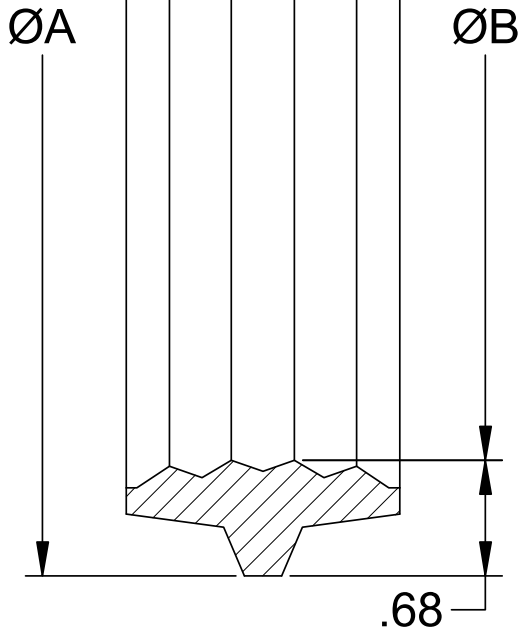


PART NO.	SIZE	DIM "A"	DIM "B"	PIPE Ø
MA-40C	4"	5.90	4.55	4.80
MA-60C	6"	7.85	6.50	6.90
MA-80C	8"	9.80	8.45	9.05
MA-100C	10"	11.65	10.30	11.10
MA-120C	12"	13.55	12.20	13.20
MA-140C	14"	15.45	14.10	15.30
MA-160C	16"	17.35	16.00	17.40
MA-180C	18"	19.30	17.95	19.50
MA-200C	20"	21.20	19.85	21.60
MA-240C	24"	25.05	23.70	25.80



A GPK PRODUCTS Company

FOR REFERENCE ONLY DIMENSIONS SUBJECT TO CHANGE

TITLE
**MANHOLE ADAPTER
 C900 / C905 PIPE**

1-800-428-5309 FARGO, ND

DATE 07-30-13

SCALE NONE

PART NO. MA-XXXX



MANHOLE ADAPTERS

SUBMITTAL SHEET

1.0 Manhole Adapters supplied by Indiana Seal are manufactured from SBR compound and will accommodate a wide range of pipe material in sizes from 4” through 27” diameters and are also available in custom sizes upon request.

2.0 Manhole Adapter Product Benefits

- Engineered to eliminate leaks around the pipe entrance to manhole walls.
- The durable design and flexibility of these water stops allows pipe movement without damaging the seal joint.
- The adapters are particularly useful for pipe lacking compatibility with concrete.

ASTM Physical Requirements:

Hardness	Shore A	D2240	40 to 60
Low Temperature Hardness after 22h at -10°C	Shore A	D2240	15 max
Tensile Strength	MPa	D412	8.3 min
Ultimate Elongation	%	D412	325 min
Compression Set 22h at 70°C	%	D395	25 max
Accelerated Aging 96h at 70°C	points	D573	8 max
Hardness Change	%		-15 max
Tensile Change	%		-20 max
Elongation Change			
Water immersion 48h at 70°C, Volume Change	%	D471	5 max
O ₃ Resistance 72h at 40°C 50pphm 20% Elong.	Appearance	D1149	No Cracks
PVC Compatibility 96h at 70°C	Appearance	F477	No Cracks