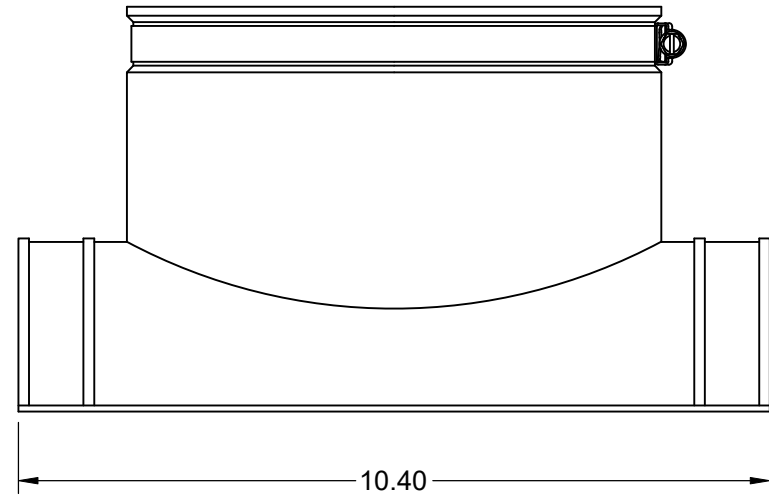
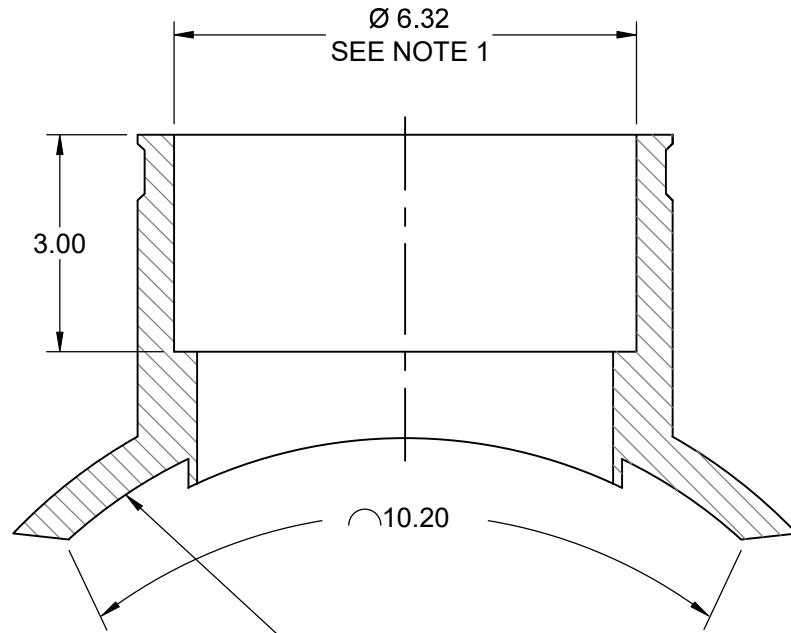



1. BRANCH ACCEPTS PIPE Ø 6.275" TO Ø 6.300"
2. STRAPS SUPPLIED WITH SADDLE FIT PIPE UP TO 15.30" DIAMETER FOR LARGER MAINS ORDER STRAPS SEPARATELY



SADDLE SKIRT CONFORMS TO 8" PIPE AND LARGER

 <p>INDIANA SEAL</p> <p>A GPK PRODUCTS Company</p>	MATERIAL LIST			FOR REFERENCE ONLY DIMENSIONS SUBJECT TO CHANGE	
	QTY	ITEM	P/N	TITLE FLEXIBLE SADDLE TEE WITH 6" BRANCH MANUFACTURED BY NDS	
	1	SADDLE	ST-6		
	1	CLAMP	SSHC116		
2	CLAMP	133-0015			
1-800-428-5309	FARGO, ND	DATE 07-21-09	SCALE NONE	PART NO.	ST-6