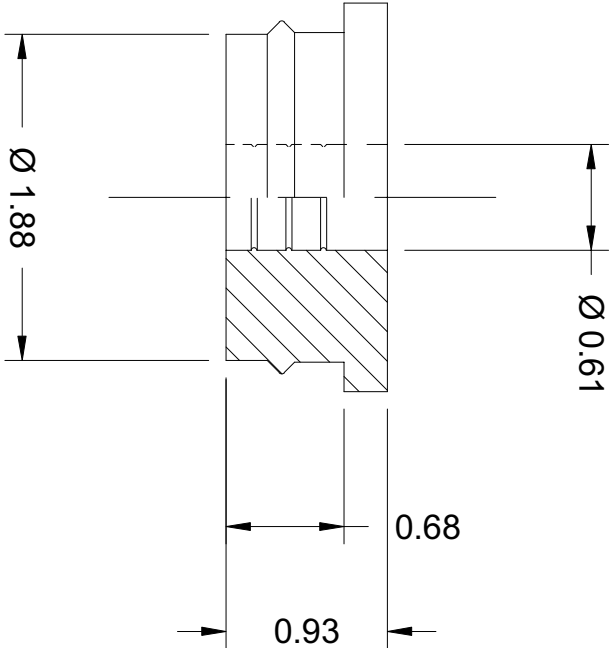


NOTE: CONNECTS 1/2" COPPER OR CPVC TUBING TO
1.5" SCH 40 PLASTIC SOCKETS



**INDIANA
SEAL**

A GPK PRODUCTS Company

MATERIAL LIST

QTY	ITEM	P/N

FOR REFERENCE ONLY DIMENSIONS SUBJECT TO CHANGE

TITLE
FLEXIBLE UTILITY ADAPTER
1.5" CI/PVC HUB x
1/2" COPPER OR CPVC TUBING

1-800-428-5309 FARGO, ND

DATE 09-09-09

SCALE NONE

PART NO. UA-1550