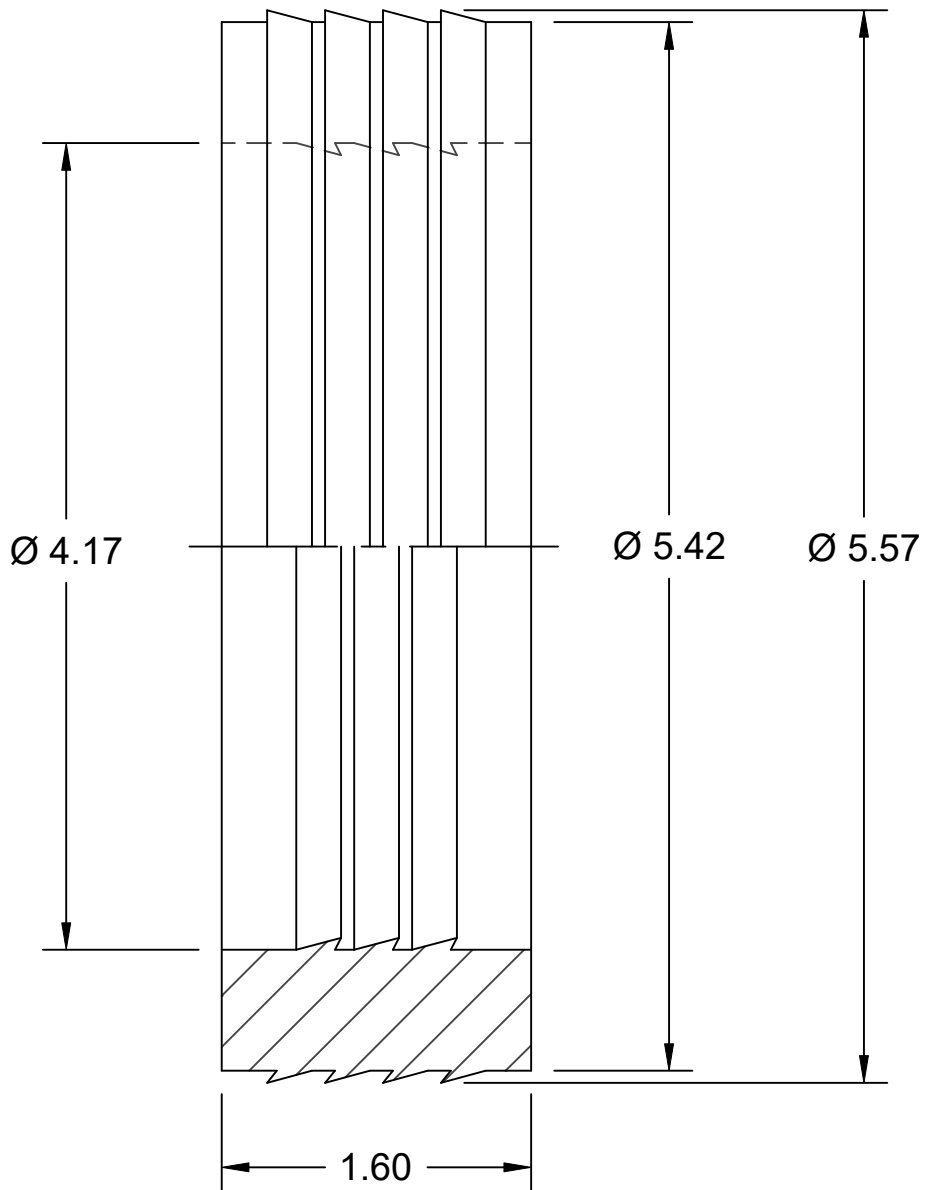


NOTE: SEE INDIANA SEAL BROCHURE FOR BELL SPECIFICATIONS



A GPK PRODUCTS Company

MATERIAL LIST		
QTY	ITEM	P/N

FOR REFERENCE ONLY DIMENSIONS SUBJECT TO CHANGE

TITLE  
 FLEXIBLE COMPRESSION SEAL  
 BELL (Ø5.58) x PIPE (Ø4.215-Ø4.300)

1-800-428-5309 FARGO, ND

DATE 5-15-09

SCALE NONE

PART NO. 408-41